

## TROUBLESHOOTING:

You may occasionally encounter a problem with your TTU® system. If this happens, refer to the trouble shooting list. If additional help is needed, please contact us.

### No sound at all

- **Is the power cable properly connected to power supply and the power supply plugged into a working outlet?**

The power cable red wire should be connected to (+) and black wire connected to (-) the power supply. The power supply should have been plugged into a working outlet.

### Howling ( Feedback)

- **Is the TALK or LISTEN volume turned too high?**

Set the volume control to a proper level. In most cases, both TALK and LISTEN controls should be set to the position of around 11 to 12 o'clock.

### Conversation cutting-off and breaking-up

- **Is the TALK volume setting too high?**

Turn down TALK volume to a proper level. Make sure the green LED is off when not talking to the gooseneck microphone.

- **Is the attendant talking too far from the gooseneck microphone?**

The ideal distance is 3" to 4" from the gooseneck microphone.

### TTU®-1 DX does not work when operated by internal battery.

- **Are the batteries fully charged?**

If the unit is newly installed, allow the batteries to be charged for 10-12 Hrs. before operating. The unit can be used while the batteries are being charged.

- **Is the battery charger plugged into a working outlet?**

If the battery charger is plugged into a working outlet, and the batteries are being charged, the battery charger should be warm, if it is not, the battery charger may be defective.

7

## Introducing the Norcon TTU® -1 NCX:

When using a Talk-thru unit in a noisy area such as heavy traffic street, a crowded movie theater hall way or a gas station, the noise makes the conversation difficult. A powerful DSP inside the Norcon noise cancellation unit samples an ambient noise environment and attenuates the noise around the desired speech signals. As a result, continuous and repetitive noise is removed; a clear conversation will be even with a passing truck in the background.

To take the advantage of this new technology, the existing unit can be sent to us for upgrade.

### Accessories for TTU®:

**ANC 700 Headset (Optional)** for use with regular non RF ready units **TTU-NCHS**:

- Superior sound quality
- Noise Cancellation microphone
- Long wearing comfort



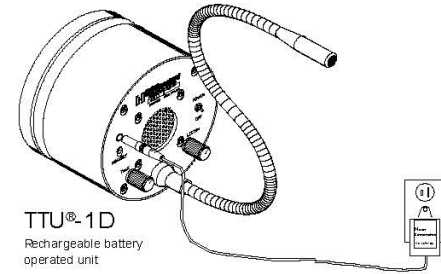
11

## TTU®-1X Series:

Select from available models with detachable XLR mic.

- TTU® -1AX continuous power unit. Housing 5" Dia x 2 ½" depth.
- TTU® -1AWX Wireless ready.
- TTU®-1ABX same as TTU®-1AX, but with bullet-resistant option (UL Level 3).
- TTU®-1ACX same as TTU®-1AX without gooseneck microphone for headset use only.
- TTU®-1DX Battery operated unit. Complete with rechargeable batteries and charger. Housing 5" Dia x 3 ½" depth.
- TTU®-1DBX same as TTU®-1DX, but with bullet-resistant option (UL Level 3).

Talk-Thru systems are shipped complete with cables, instructions, and power supply.



TTU-1DX ( battery version)

8

## Professional Wireless Headset System (Optional) for use with regular non RF ready units TTU-WHS:

- **Mobile:** DETC 6.0 technology hand-free mobile design with range of up to 300 feet from base unit
- **Duo-Set Headset:** Adjustable for over-the-head stability or over-the-ear convenience with new conformable ear loop
- **Extended Use:** Ten hours continuous talk time on rechargeable battery.



### Headset (Optional for use with wireless ready TTU-1X, TTU-3X & TTU-7X Series).

- TTU-WHS-D wireless headset transceiver
- Norcon TTU-NC181 Headset
- USB Charger & Micro USB cable

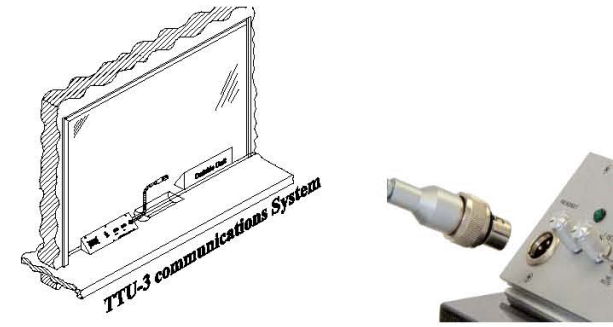
12

## Introducing the Norcon TTU® -3X Series:

There are times, when it is inconvenient to cut a 3" to 4" hole through an isolation barrier; the Norcon TTU®-3X is the solution for this situation.

The TTU®-3X is a pair of 6" or 12" prism-shaped units for mounting on a counter top on both sides of a barrier. They allow hands free communication through barriers typically found in banks, cashier's booths, information booths, and similar environments.

Norcon provides audio/visual, communications, and secure talk-thru solutions for critical applications around the world. TTU-3X with removable mic for your convenience.



9

## Professional Wireless Headset System (Optional) TTU® -WHS-D:

Wireless Headset is designed to work with the TTU-WR Wireless ready unit only.

### FEATURES

- Clear 2-way hands-free voice communication.
- Quality engineering and innovative design
- Walk around freely while talking to the customer.
- Self-powered unit with rapid rechargeable battery



## Microphone Grill Windscreen Sponge

### Specification:

- Material: Foam ,Color: Black
- I D: Approx. 12mm, Size: Approx. 65x10mm (L\*W)
- High elasticity, durable and soft, Replacement for your worn-out or lost headset microphone pads

### Package include:

5 pcs of Microphone Windscreen

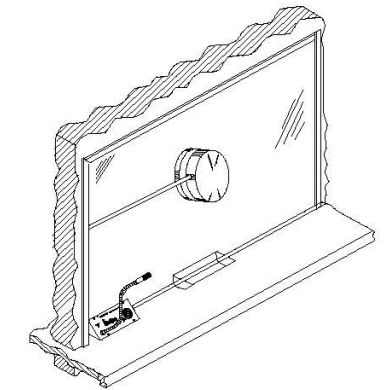


13

## Introducing the Norcon TTU®-7X:

**Special design for the window with a secure pull-down gate or shade.**

In some cases, when it's impractical to mount the inside control section of the TTU®-3X in a window with secure gate or shade the TTU®-7X is your choice. The TTU®-7X incorporates the same high-quality electronics as the basic TTU®-3X, but with a 1" low profile window mount section, and a prism shaped counter mounting control section.



10

## Service Policy

### TALK-THRU SYSTEM WARRANTY REPAIRS

Norcon Communications Inc. warrants the products Manufactured by Norcon to be free from defects in material and workmanship for a period of **one year** \* from the date of shipment from the factory provided:

- 1) The product has not been abused, misused or improperly maintained, repaired and /or modified during such period, and
- 2) Such defect is not a result of voltage surges/ burnouts, lightning, water damage / flooding, fire, explosion, earthquakes, tornadoes, acts of aggressions /war or similar phenomenon; and
- 3) The product has been properly installed according to the appropriate Norcon Installation Guide.

Both incoming and outgoing freight charges are at customer's expenses. Domestic repair will be returned to customer by UPS Ground. International repair will be returned to customer using normal shipping arrangements. Any other shipping instructions must be made in writing and will be at the customer's expense.

\* **Extended two years warranty available on request**

14